



Eurotherm®

Essential power control expertise EPack™ Lite-1PH Compact SCR Power Controllers

Benefits

The end user, the machine builder or the system integrator expects the best solutions in terms of performance, ease of use and reliability in order to control the energy delivered to their process.

Eurotherm EPack™ Lite-1PH Compact SCR Power Controllers offer a simplified feature set for fast commissioning without compromise on performance. They provide a high level of quality, accuracy and reliability to the process. The products allow to control single phase non variable resistive, primary transformer and short wave infrared loads. The EPack Lite product combines simplicity of setup and operation in a compact format. The configurable firing modes allow close matching to load characteristics to optimise process efficiency.

- Help maximize yield with accurate and repeatable control
- Fast integration and commissioning with user display
- Ease of operation and maintenance
- Simplified design reduces stock and spares holding

Unique features


- Large voltage capability from 100V to 500V adjustable in the same variant
- Fast start up with 'Quick Start' or 'Clone Code' features
- Adjustable control mode V2 or I2 control or open loop
- Wide range of firing modes: phase angle, intelligent half cycle, variable modulation burst firing, fixed modulation period & logic
- Built-in measurements: current, voltage, impedance and more
- Load fault detection up to 1 element of 6
- SCCR 100kA with fuse

eurotherm.com/epacklite

 **WATLOW**
Powered by Possibility

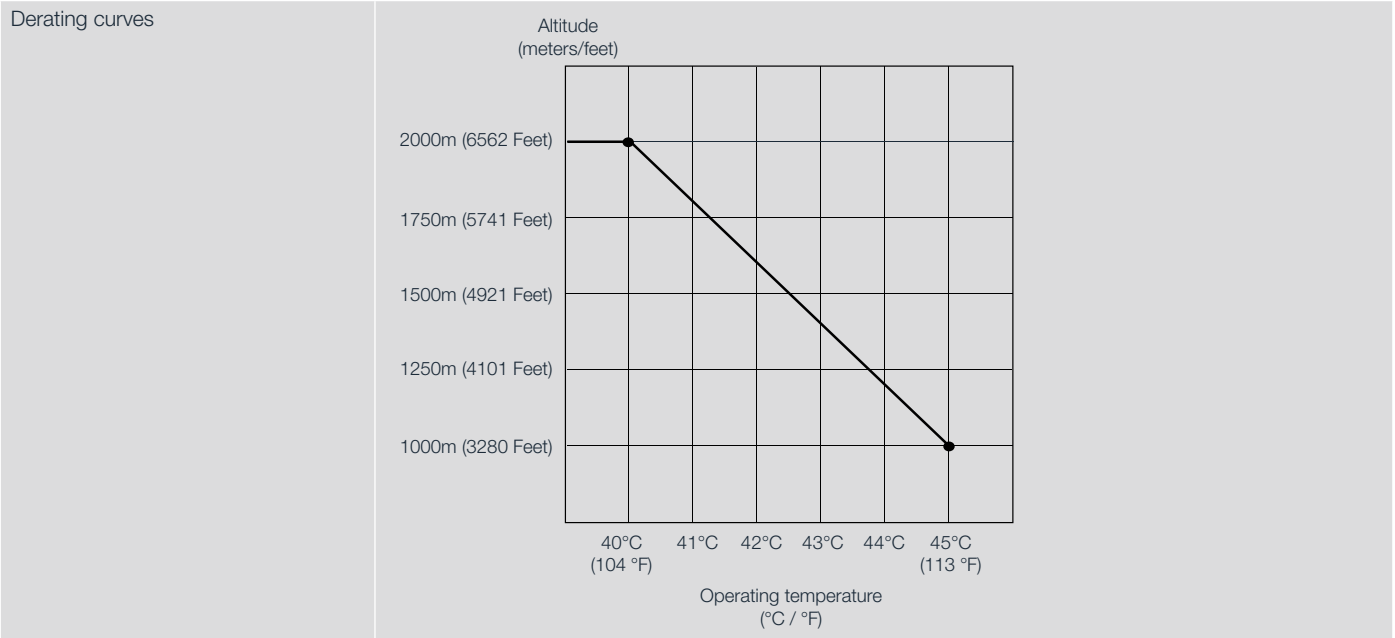
Specifications

General

Safety specification	IEC / EN60947-4-3:2014
EMC emissions specification	IEC / EN60947-4-3:2014 - Class A product
EMC immunity specification	IEC / EN60947-4-3:2014
Vibration tests	IEC / EN60947-1 annex Q category E
Shock tests	IEC / EN60947-1 annex Q category E
Approvals	
European community CE	EN60947-4-3:2014: Low-voltage switchgear and controlgear - Part 4-3: Contactors and motor-starters - AC semiconductor controllers and contactors for non-motor loads (identical to IEC60947-4-3:2014) Declaration of Conformity available on request.
US & Canada UL US LISTED	UL60947-4-1 CAN/CSA C22.2 NO.60947-4-1-14 Low-Voltage Switchgear and Controlgear - Part 4-1: Contactors and Motor-Starters - Electromechanical Contactors and Motor-Starters - U.L. File N° E86160
Australia 	Regulatory Compliance Mark (RCM) to Australian Communication and Media Authority Based on compliance to EN60947-4-3:2014
China Protection	Product not listed in catalog of products subject to China Compulsory Certification (CCC) CE: IP10 according to EN60529 (16 to 63A) or IP20 according to EN60529 (CE: 80 to 125A) UL: open type

Environmental conditions

Atmosphere	Non-corrosive, non-explosive, non-conductive
Degree of pollution	Degree 2 according to IEC60947-1
Storage temperature	-25°C (-13°F) to 70°C (158°F)
Temperature & altitude	0 to 45°C at 1000m (32°F to 113°F at 3280 Feet) 0 to 40°C at 2000m (32°F to 104°F at 6562 Feet)



Mechanical details

Unit	Height	Width	Depth	Weight
16 to 32A	129.2mm / 5.09in	51mm / 2.01in	136.2mm / 9.04in	0.8kg / 1.76lb
40 to 63A	129.2mm / 5.09in	72mm / 2.83in	173.3mm / 9.04in	0.95kg / 2.09lb
80 to 100A	197.6mm / 7.78in	80mm / 3.15in	202.1mm / 9.04in	1.8kg / 3.97lb
125A	197.6mm / 7.78in	120mm / 4.72in	202.1mm / 9.04in	2.5kg / 5.51lb

Specifications

Fuses

Current rating	Fuse holder size	Unit
≤25A without MS	10x38mm / 13/32x1-1/2in	88.5x17.5x64.5mm / 3.48x0.69x2.54in
≤25A with MS	14x51mm / 9/16x2in	110.8x26.5x76.5mm / 4.36x1.04x3.01in
32A with or without MS	14x51mm / 9/16x2in	110.8x26.5x76.5mm / 4.36x1.04x3.01in
40A with or without MS	14x51mm / 9/16x2in	110.8x26.5x76.5mm / 4.36x1.04x3.01in
50A with or without MS	22x58mm / 2-9/32in	127.5x35x76.5mm / 5.02x1.38x3.01in
63A with or without MS	27x60mm / 1-1/16x2-3/8in	149.4x40x93.5mm / 5.88x1.57x3.68in
80A with or without MS	27x60mm / 1-1/16x2-3/8in	149.4x40x93.5mm / 5.88x1.57x3.68in
100A with or without MS	27x60mm / 1-1/16x2-3/8in	149.4x40x93.5mm / 5.88x1.57x3.68in
125A with or without MS	27x60mm / 1-1/16x2-3/8in	149.4x40x93.5mm / 5.88x1.57x3.68in

Power

Nominal current	4 to 125 amps
Nominal voltage	From 100V to 500V +10%/–15%
Accuracy	±2% of full scale from 100V to 500V +10%/–15%
Frequency	47Hz to 63Hz
Short circuit protection	By external supplemental high speed fuses
Rated conditionnal short-circuit current	100kA (coordination type 1)

Utilization categories

AC51	Resistive or slightly inductive load (cos phi>0.8)
AC-55b	Switching of incandescent lamps
AC-56a	Transformer Primary
Heater type	Low/high temperature coefficient: Carbon and SWIR

Control

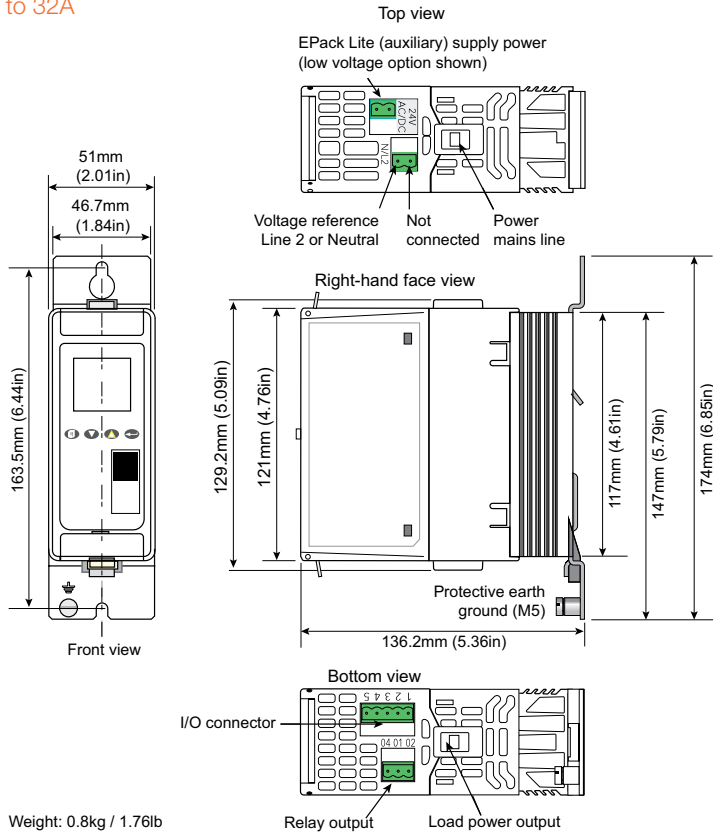
Auxillary power supply	100V to 500V +10%/–15% or 24V ac/dc (±20%)
Control setpoint	Analog or Logic input
Analog input signal	
Voltage	Range: 0-5V, 1-5 V, 0-10V or 2-10V Impedance: 140 kOhms typical (0-10V signal)
Current	Range: 0-20mA or 4-20mA Input resistance: 100 Ohms to allow for three units wired in series to be driven from a single controller's analogue output
Resolution	11 bits
Linearity ±0.1% of scale	±0.1% of Scale
Firing mode	Phase Angle, Intelligent Half cycle, Variable Modulation Burst firing (FC1, C16, C64), Fixed modulation period (2 seconds fixed), Logic mode
Control mode	V ² control, I ² control, Open loop with feedforward and Trim modes
Configurable digital inputs	Input 1: enable by default ; Input 2: setpoint in logic mode, alarm acknowledgment, 10V supply, ...
Voltage inputs	PLC compatible inputs type 1 & 2 according to IEC 61131-2 - Active level (high): 11V<Vin<30V with 6mA<lin<30mA - Non-active level (low): -3V<Vin<5V with 2mA<lin<30mA or 5V<Vin<11V with lin<2mA
Contact closure inputs	- Current source: 10mA min; 15mA max - Open contact (non active) resistance: 800 Ohms to ∞ - Closed contact (active) resistance: 0 to 450 Ohms - Absolute Maximum ±30V or ±25mA
One alarm relay	Changeover relay 2A rms - 264V rms normally energised. (250V rms max for UL). This relay will be de-energised in case of serious alarms: short circuit thyristor, open circuit, fuse blown, missing main, chop off

Display

Technology	TFT
Size	1.4" diagonal (35.56mm)
Messages	Configuration, Monitoring and Diagnostics

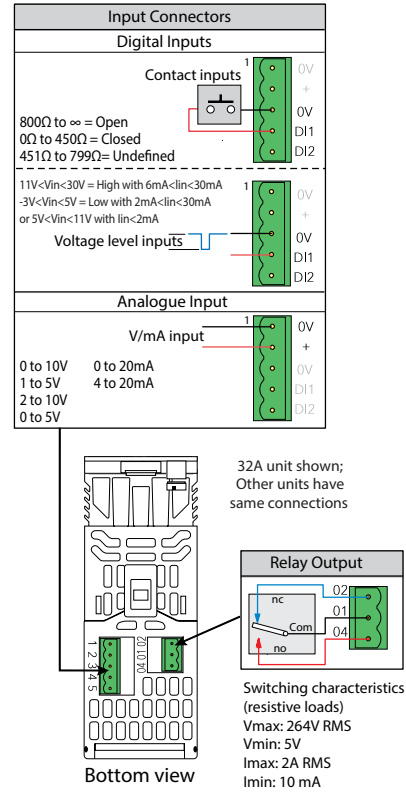
Mechanical details

16A to 32A

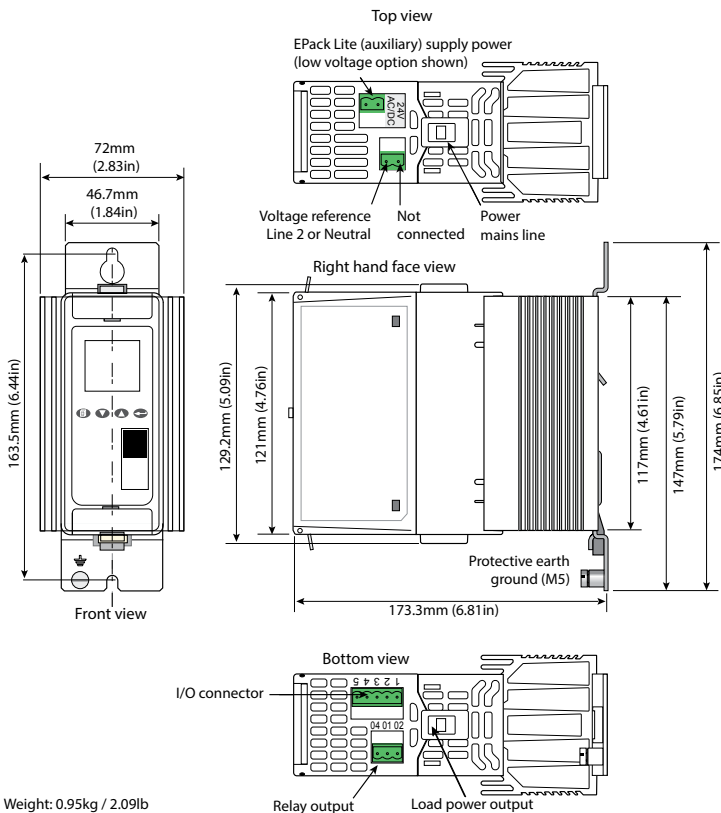


Connector details (pinout)

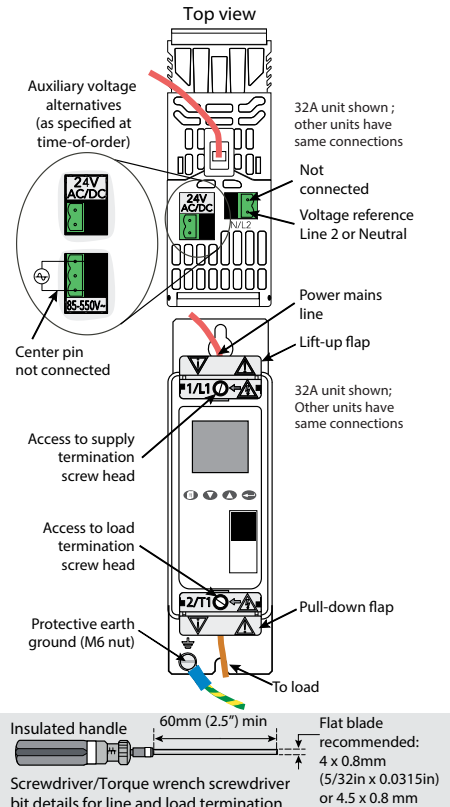
I/O details



40A to 63A

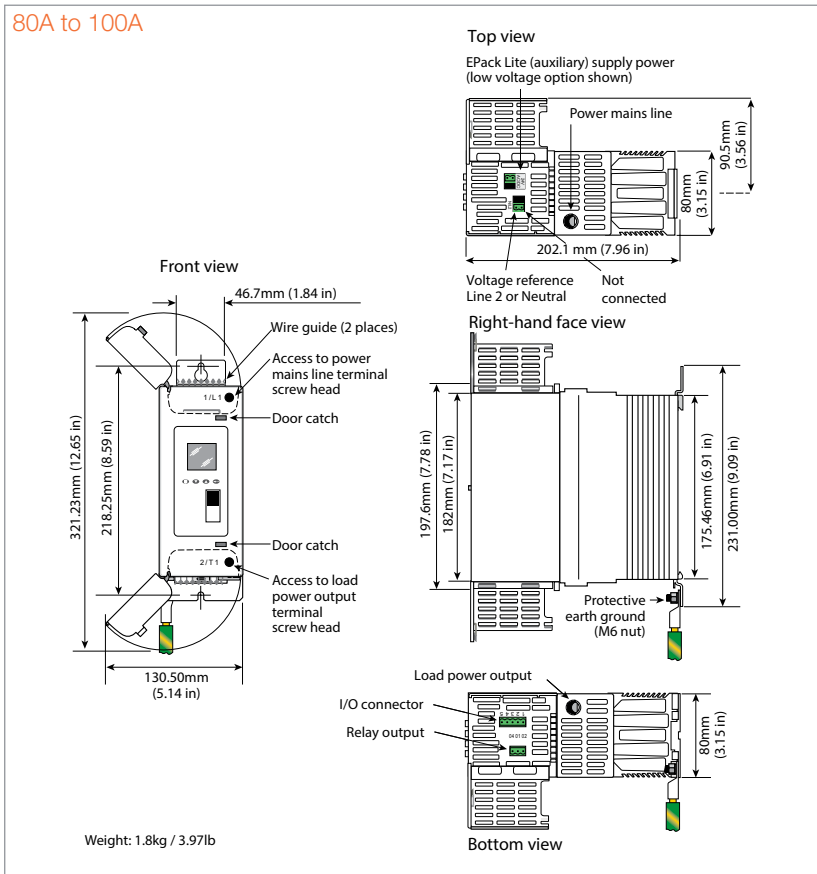


Power supply details
16A to 63A



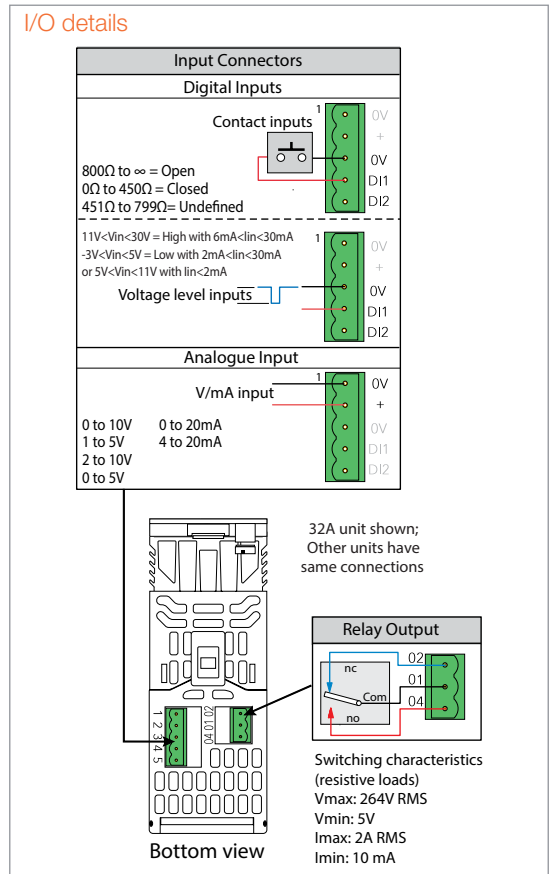
Mechanical details

80A to 100A

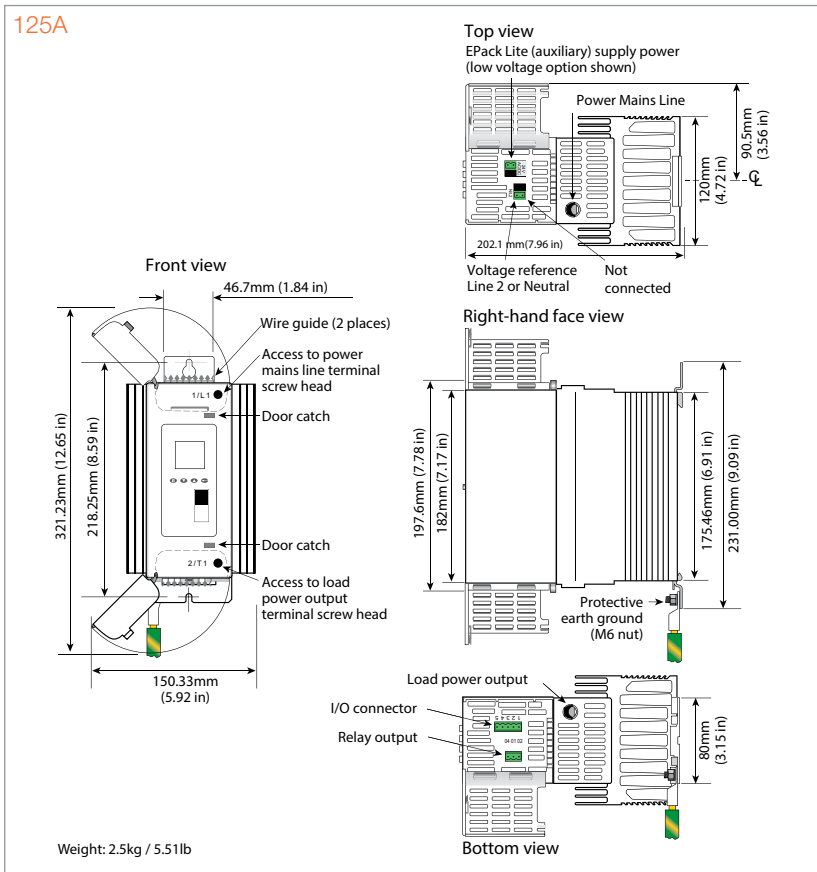


Connector details (pinout)

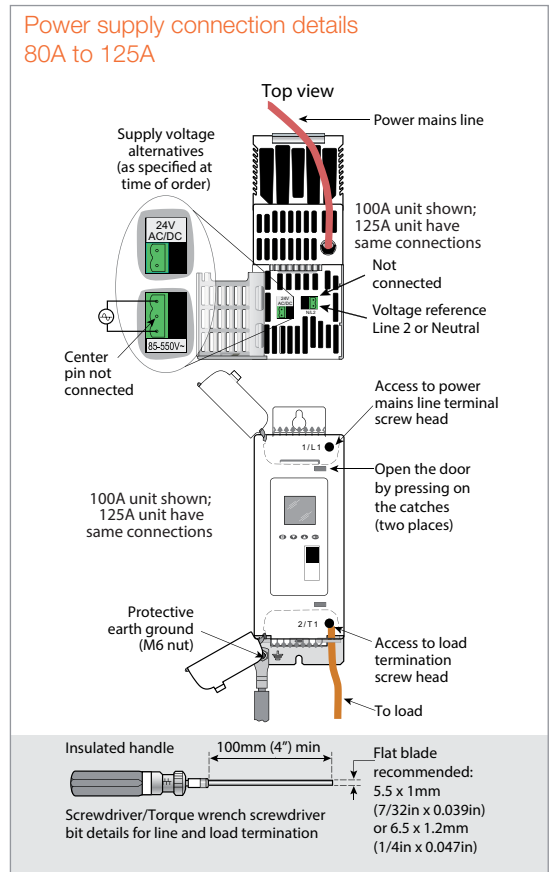
I/O details



125A



Power supply connection details 80A to 125A



Specifications

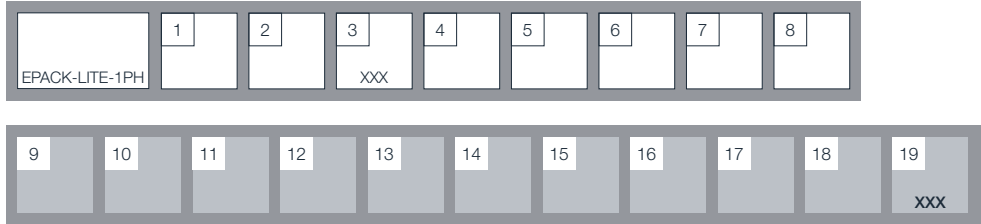
E-Pack Lite-1PH controller order codes

The E-Pack Lite power controller is ordered using a short code for the chargeable options and an extended option configuration code for commissioning.

If the extended code is not used, the software configuration is completed using a quick start procedure.

Current rating of E-Pack Lite controllers may be upgraded at any time using a software key order code.

Product coding



Model		EPAK LITE-1PH		Power Controller	
1 Maximum current		16A	16 amps	25A	25 amps
		32A	32 amps	40A	40 amps
		50A	50 amps	63A	63 amps
		80A	80 amps	100A	100 amps
		125A	125 amps		
2 Auxillary power supply		500V	500V max	24V	24V ac/dc
3 Reserved		XXX	Reserved		
4 Control option		V2	V ² control (standard)	I2	I ² control
		OL	Open loop control		
5 Warranty		XXXXX	Standard warranty	WL005	5 Year warranty
		USWL3	US extended warranty		
6 Custom labelling		XXXXX	Standard (Eurotherm)	Fnnnn	Special label
7 Fuse		XXX	Without	HSP	High speed fuse without microswitch
		HSM	High speed fuse with microswitch		
8 Configuration		XXXXXX	Default	LC	Long code

9 Nominal load current		nnnA	1 - Value field 1
10 Nominal line voltage		100V	100 volts
		110V	110 volts
		115V	115 volts
		120V	120 volts
		127V	127 volts
		200V	200 volts
		208V	208 volts
		220V	220 volts
		230V	230 volts
		240V	240 volts
		277V	277 volts
		380V	380 volts
		400V	400 volts
		415V	415 volts
		440V	440 volts
		460V	460 volts
		480V	480 volts
		500V	500 volts
11 Load type		XX	Resistive
		TR	Transformer primary
12 Heater type		XX	Resistive
		SWIR	Short wave infrared
13 Firing mode		PA	Phase angle
		IHC	Intelligent half cycle
		BF	Variable modulation burst firing (default 16 cycles)
		FX	Fixed modulation period (default 2 seconds)
		LGC	Logic mode
14 Burst min ON time		XXX	None
		FC1	Single cycle 1 period min ON time
		C16	Burst with 16 periods min ON time
		C64	Burst with 64 periods min ON time
15 Analog input function		XX	None
		SP	Setpoint
16 Analog input type		0V	0-10 volts
		1V	1-5 volts
		2V	2-10 volts
		5V	0-5 volts
		0A	0-20 mA
		4A	4-20mA
17 Digital input 1 function		XX	None
		FI	Firing enable
		LG	Setpoint for logic mode
		AK	Alarm acknowledgement
		FB	Fuse blown
18 Digital input 2 function		XX	None
		FI	Firing enable
		LG	Setpoint for logic mode
		AK	Alarm acknowledgement
		FB	Fuse blown
		SU	10V supply
19 Reserved		XXX	Reserved

Software upgrade options



1	Serial number instrument
nnnn	Serial number

2	Current ratings upgrade
XXX	No change
16A-25A	16A to 25A
16A-32A	16A to 32A
25A-32A	25A to 32A
40A-50A	40A to 50A
40A-63A	40A to 63A
50A-63A	50A to 63A
80A-100A	80A to 100A

Eurotherm US LLC
 44621 Guilford Drive, Suite 100
 20147 Ashburn, VA
 USA
 Phone: +1-703-724-7300
www.eurotherm.com

Contact your local sales representative



Document Number HA033174USA Issue 5

Watlow, Eurotherm, EurothermSuite, EFit, EPack, EPower, Eycon, Chessell, Mini8, nanodac, piccolo and versadac are trademarks and property of Watlow its subsidiaries and affiliated companies. All other trademarks are the property of their respective owners.

©Watlow Electric Manufacturing Company. All rights reserved.

