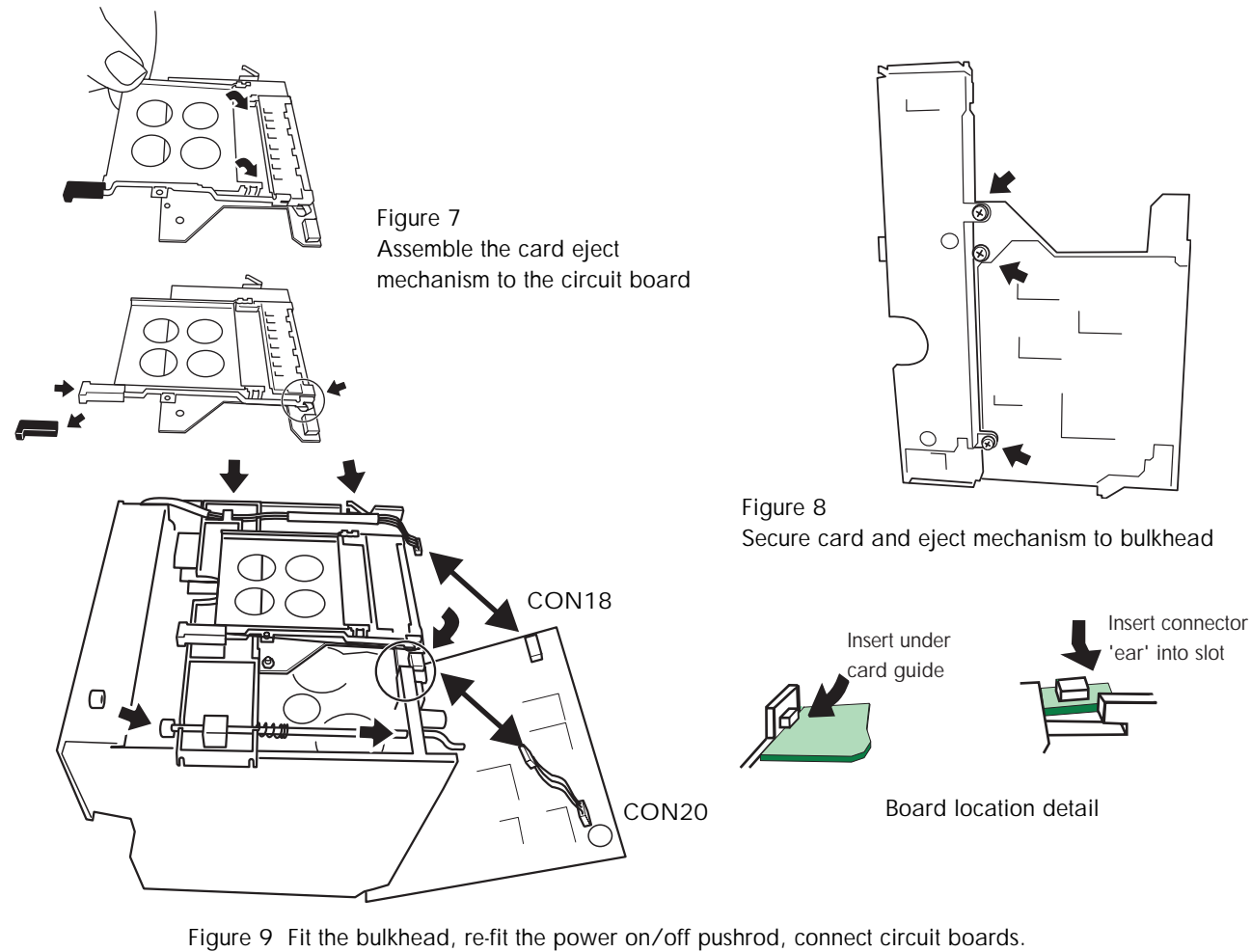


9. Fit the card eject mechanism to the memory card drive board as shown in figure 7. Replace the ejector button with the one supplied with the kit. Secure the card eject mechanism to the memory card, and the combined assembly to the bulkhead, using the M2 fixings supplied (figure 8).
10. As shown in figure 9, re-fit the bulkhead (now complete with memory card driver) to the recorder chassis, ensuring that the memory driver card is fitted correctly under its retainers, before latching the bulkhead into position. If fitted, re-assemble the power on/off push rod to its button. The location of the circuit board is most easily accomplished by placing the assembly such that the connector ear lies behind the chassis backplate, then fitting the circuit board under the card guide on the left sideplate, then pulling the whole assembly towards the front of the chassis, ensuring that the connector ear slides into its slot.



11. For multi-point recorders, re-fit the flexi cable protection plate using the plastic rivet previously removed.
12. Connect the memory card connector (CON 20) and the display loom (CON 18) to the rear circuit board, and re-secure the circuit board using the plastic rivets provided.
13. Return the recorder to the case, carefully re-fitting the flexi-cable to Con 16, ensuring that the cable emerges perpendicular to the connector. Fit the new Option key, or refit the old key as applicable.
14. Re-fit the pens/printhead and chart cassette and return the recorder to service.

Memory Card Retro-fit kit instructions

Model 4103

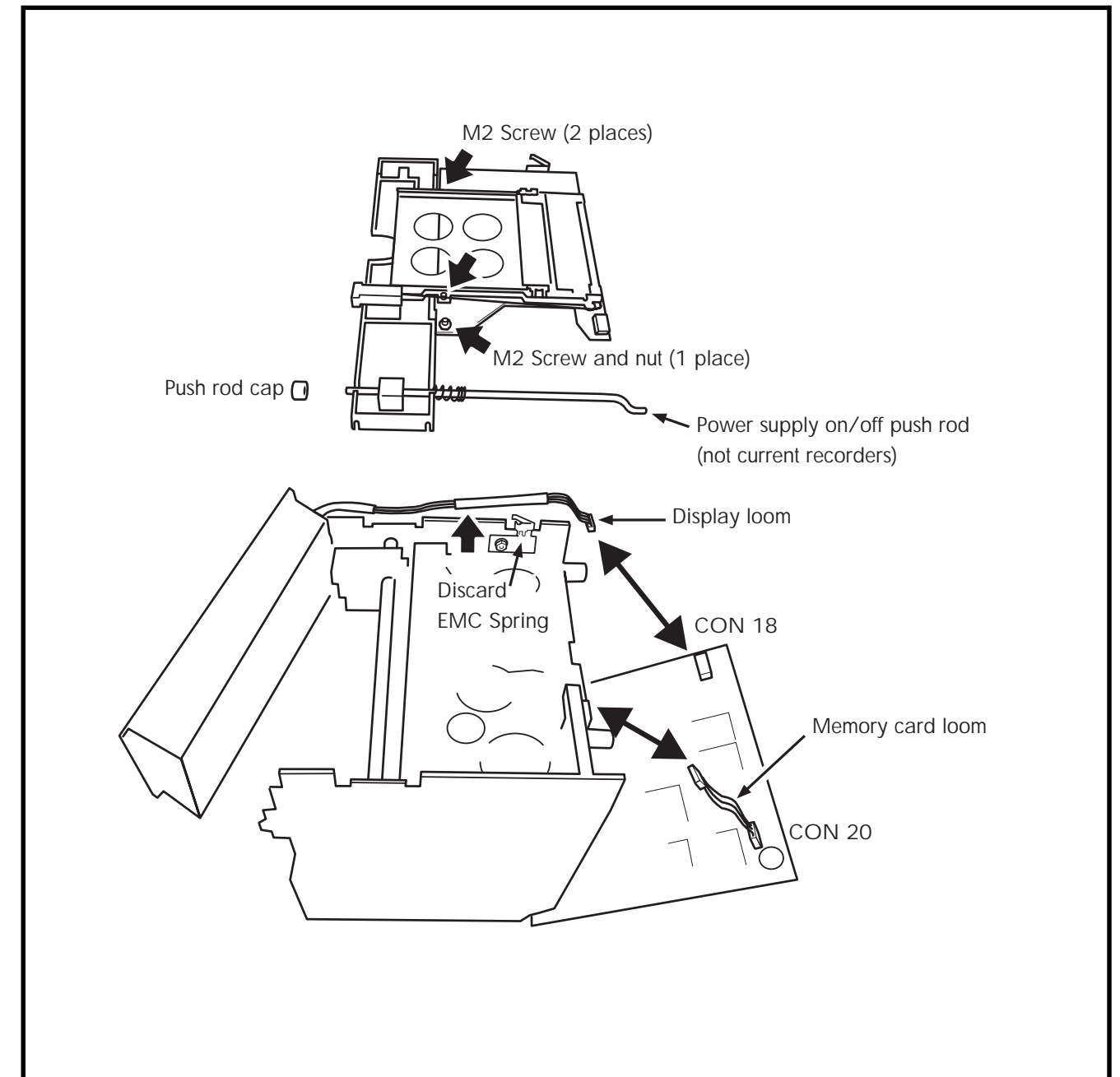


Figure 1 Memory Card Retrofit kit components



EUROTHERM LIMITED
Faraday Close, Durrington, Worthing, West Sussex, BN13 3PL
Telephone: 01903 695888 Facsimile: 01903 695666
e-mail: info@eurotherm.co.uk
Website: <http://www.eurotherm.co.uk>



CAUTION

This upgrade involves the handling of components which are sensitive to static electrical discharge. All relevant personnel must be aware of static handling procedures. If in doubt, consult the Installation and Operation Manual.

This document is intended to aid those who intend to retro-fit a memory card driver to a Model 4103 recorder.

1. Isolate the recorder from all high-voltage sources (signal as well as supply).
2. Referring to the Installation and Operation Manual as necessary, open the recorder door and remove the cassette and (to prevent accidental skin or clothing contamination) the pens / printhead.
3. With reference to figure 2, remove any Option key currently fitted, then undo the screw which secures the recorder chassis to the case.

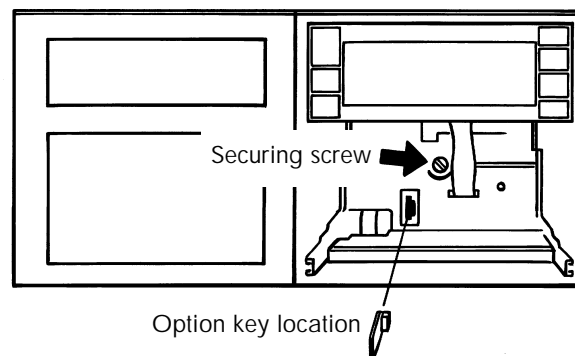


Figure 2 Option key and securing screw locations

4. Carefully withdraw the recorder from the case, and remove the flexi cable from connector 16 as shown in figure 3. This connector is made up of a fixed part and a moving clamp part. The Clamp should be gently prised away from the fixed part, until the flexi can be easily removed.

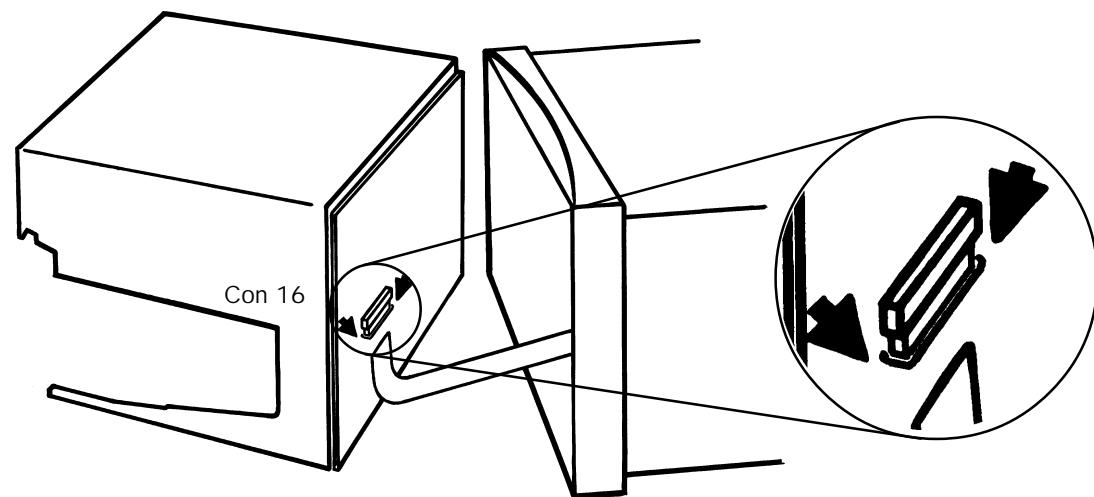


Figure 3 Disconnect the flexi-cable

5. As shown in figure 4, remove the four plastic securing rivets from the circuit board at the rear of the recorder. (Note that these are in two parts - take care not to lose any of them!) Release the display loom connector (Con 18).

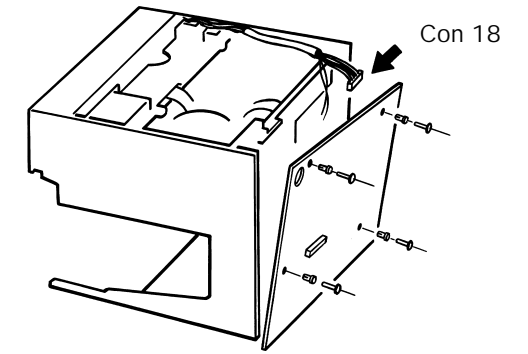


Figure 4 Rear circuit board access

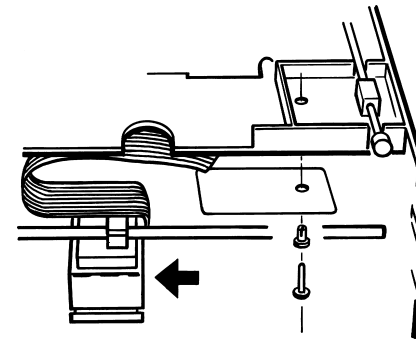


Figure 5 Flexi-protection plate (Multipoint recorders only)

6. For multipoint recorders only, slide the printhead to the left and remove the plastic rivet securing the printhead flexi-cable protection plate (Figure 5)

7. As shown in figures 6a, 6b and 6c, release the display loom from the left hand side of the upper bulkhead. If a power on/off push rod is fitted, remove the cap and pull the rod back, clear of the bulkhead. By compressing the securing latches at each end, lift the upper bulkhead from the recorder chassis. Discard the bulkhead

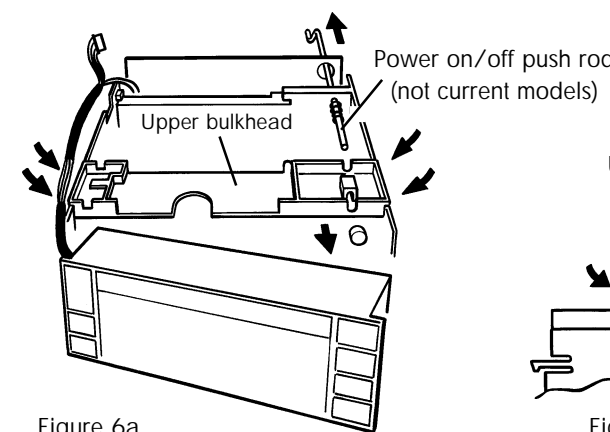


Figure 6a Bulkhead and power on/off activator

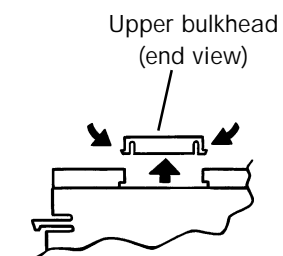


Figure 6b Bulkhead latches

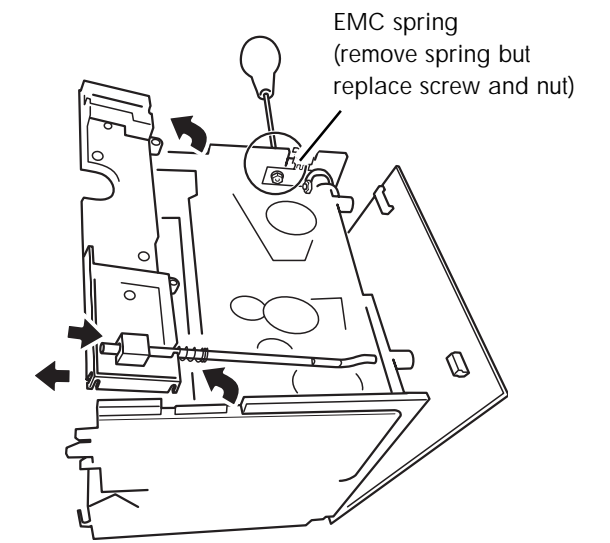


Figure 6c Bulkhead and EMC spring removal

8. As shown in figure 6c, remove the EMC spring, being sure to refit the screw and nut after removal.