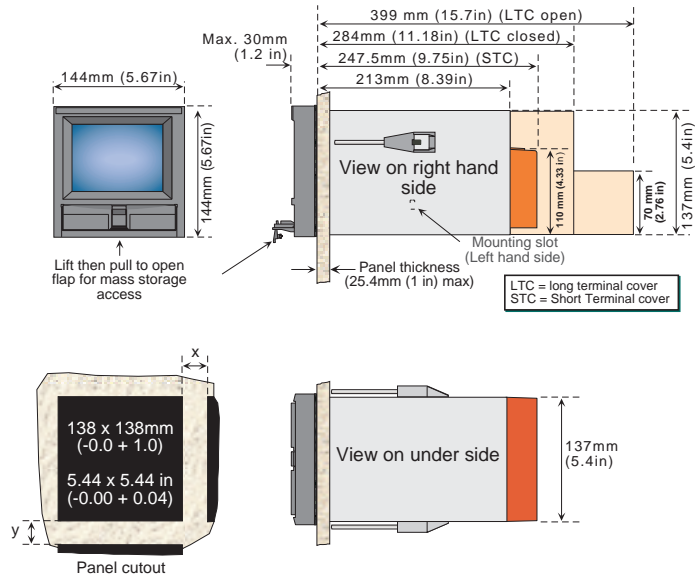
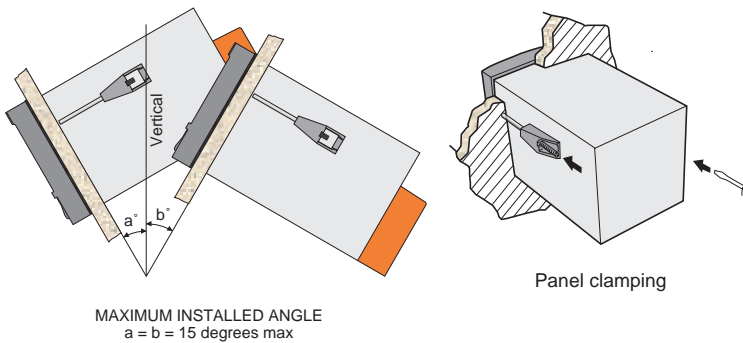


Installation & Configuration Model 5100e

Mechanical Installation

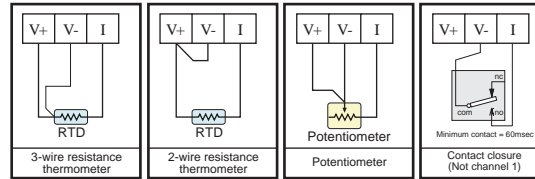
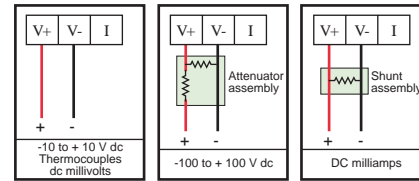
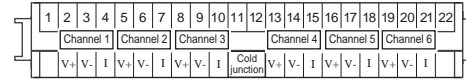


| Minimum recommended inter-unit spacing | |
|--|---------------------|
| Side clamps | Top/bottom clamps |
| x = 15mm (0.6 inch) | x = 10 mm (0.4 in) |
| y = 10 mm (0.4 in) | y = 15mm (0.6 inch) |

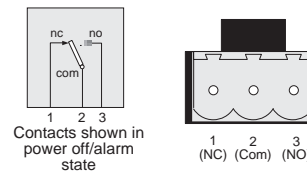


I/O Pinouts

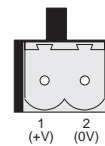
Universal input board



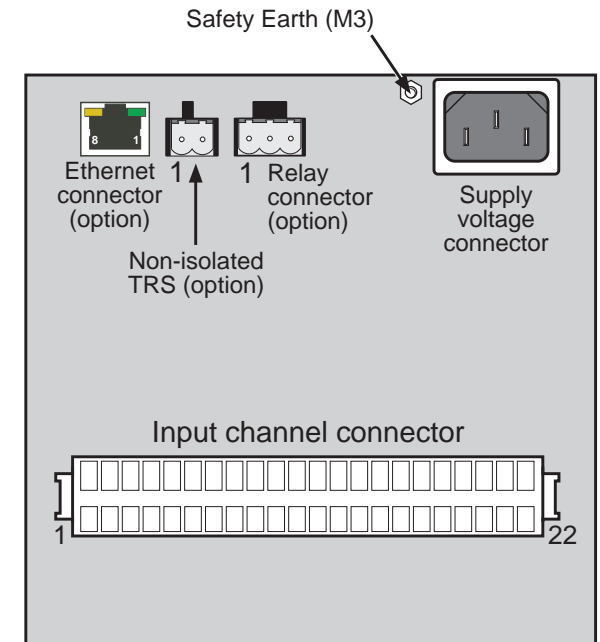
Option terminations



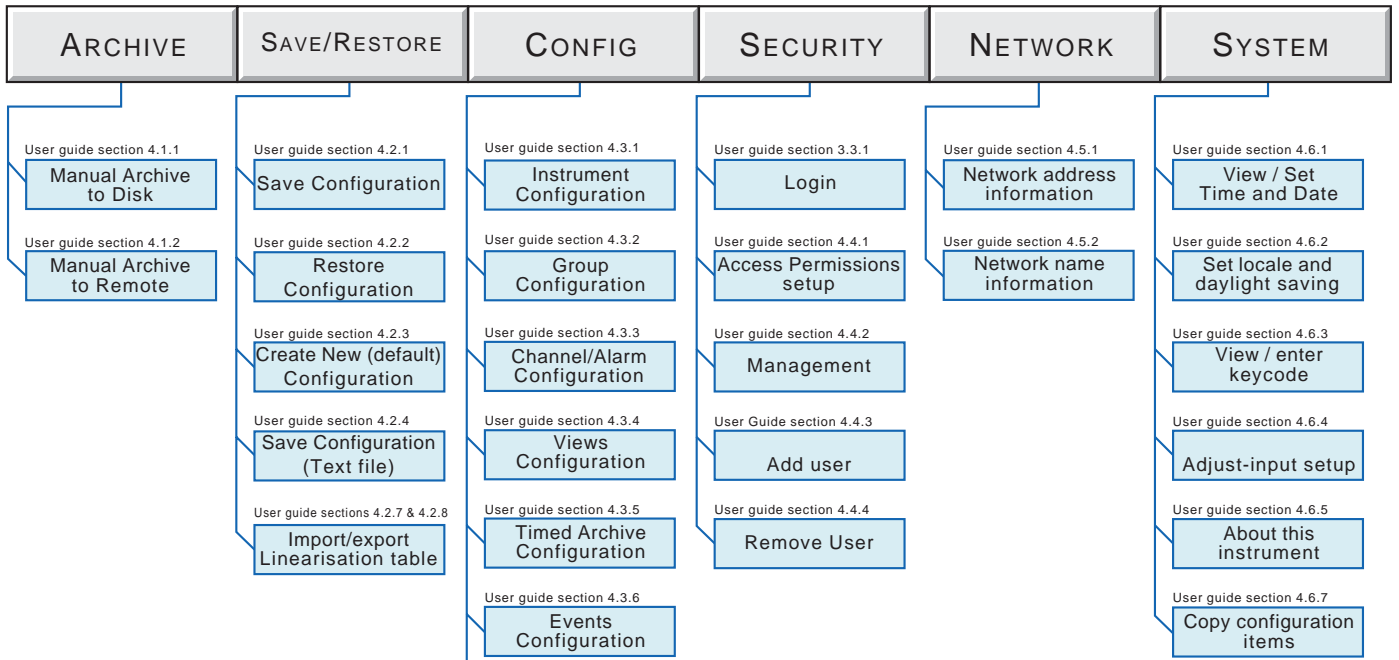
Transmitter power supply (Non-isolated)



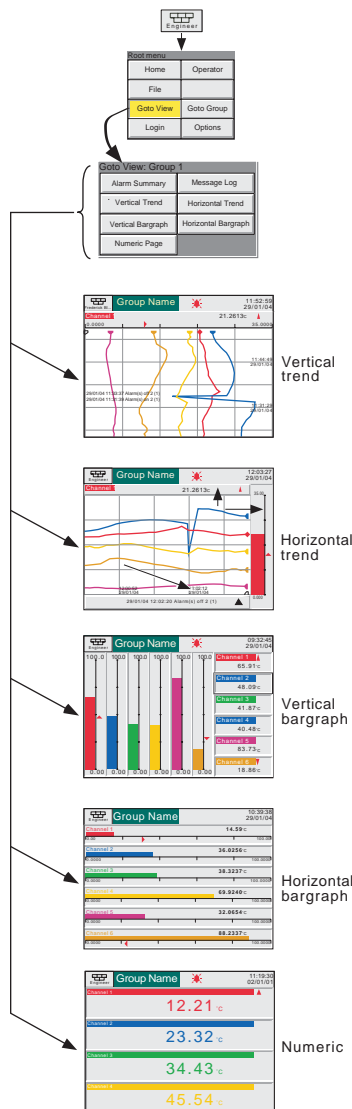
Connector locations



Operator Display



Display modes (User guide section 3.4)



Maths Configuration

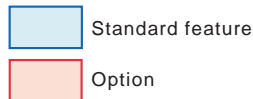
Totaliser Configuration

Counter Configuration

Timer Configuration

E-mail Configuration

Key

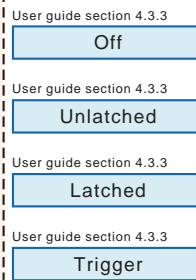


Alarm symbols

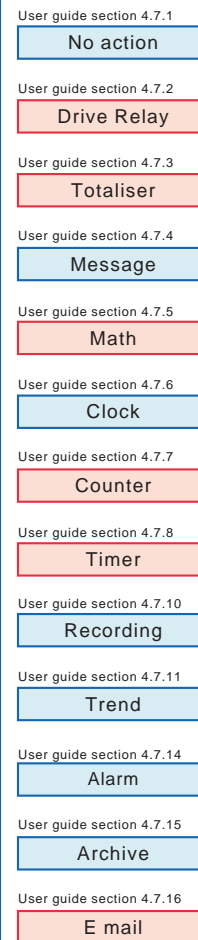
| | |
|--|------------------------|
| | Absolute High |
| | Absolute Low |
| | Deviation in |
| | Deviation out |
| | Rate-of-change Rising |
| | Rate-of-change Falling |

Jobs

Enable



Category



On/While

