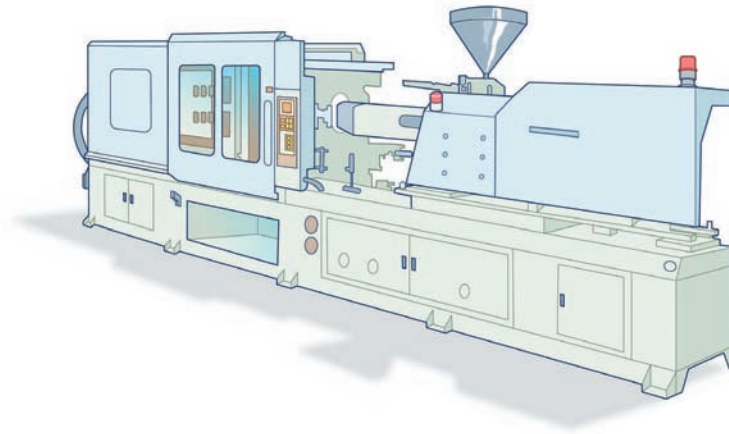


Plastics

INDUSTRY

- Total Machine Controllers
- Process Control
- Plant Wide Automation
- Temperature Controllers
- Indicators
- Industrial PCs
- Power Controllers
- Thermocouples and RTDS



Injection Molding Application Note

From the Company that Understands Plastics Applications

Eurotherm® has provided reliable temperature control equipment since the very beginning of the plastics industry. Over the years we have developed a comprehensive line of superior injection molding machine control products for all makes, models and types of machines. We continue to set industry standards for innovation and reliability. Our diverse product offering and application expertise assures that each user or machine builder can be uniquely satisfied.

Process Control

Our standard closed loop process control precisely controls several key molding parameters and achieves consistent part quality with maximum production efficiency. This is made possible by controlling the injection cycle from the start of injection all the way through the screw recovery or plasticizing phase. Eurotherm Impact technology adds autotuning adaptive process control, providing parts with tighter weight tolerances, improved dimensional stability, and greater overall consistency from shot to shot.

Application Expertise

Our application expertise is key to providing you the right solution. As injection molding has become more sophisticated, support and understanding of your molding process has become a major component of our solution offering. Eurotherm's plastic application specialists, with their highly developed application and automation skills, become extensions of your organization, working to help you optimize your process.

Integrated Automation

Eurotherm leads the market in a new era in which the requirement is not just for high quality automation products, but for instruments to work in harmony, integrating all aspects of the manufacturing plant to provide the plastic producer with the maximum return on investment. Eurotherm's integrated automation solutions incorporate factory floor data and seamlessly integrate it with the business systems – so that plastic processing and management decisions can be made with the best data available.



Eurotherm - Leading Products for Injection Molding

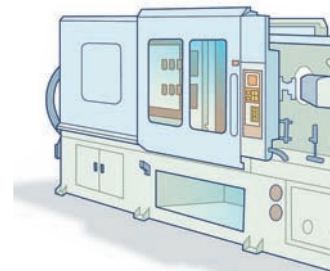
Eurotherm has built an international reputation for developing premium quality 'fit for purpose' products and solutions. The Eurotherm brands (Action Instruments, Barber-Colman, Chessell®, Continental®, ERO Electronic™, and Eurotherm) have long been recognized for leading the plastics automation market. Each solution we provide is drawn from a comprehensive family of configurable process control, data management and scalable automation systems.

Eurotherm/Continental SSRs and Power Controllers

- Reduced setup time
- Decreased cycle time
- Better parts
- Less scrap
- Less downtime



- Discrete stand alone controls
- Stand alone controls with HMI
- Retrofits



Eurotherm/Barber-Colman MACO® DS/RS System

Upgrades from

- MACO® 8000 Systems
- MACO 4000 Systems



Upgrades and retrofits from 3rd party products

- SCI™
- Allen-Bradley®
- Siemens
- GE
- Obsolete OEMs
- Hunkar®
- Moog®
- TI
- Modicon®



Injection Molding with the MACO Compact System

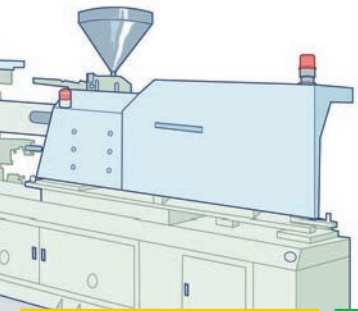
- High speed display updates
- Ethernet communications
- IEC 1131 sequence logic
- Recipe storage to USB memory sticks
- Large color touchscreen
- Multi-lingual for global use
- Statistical process control



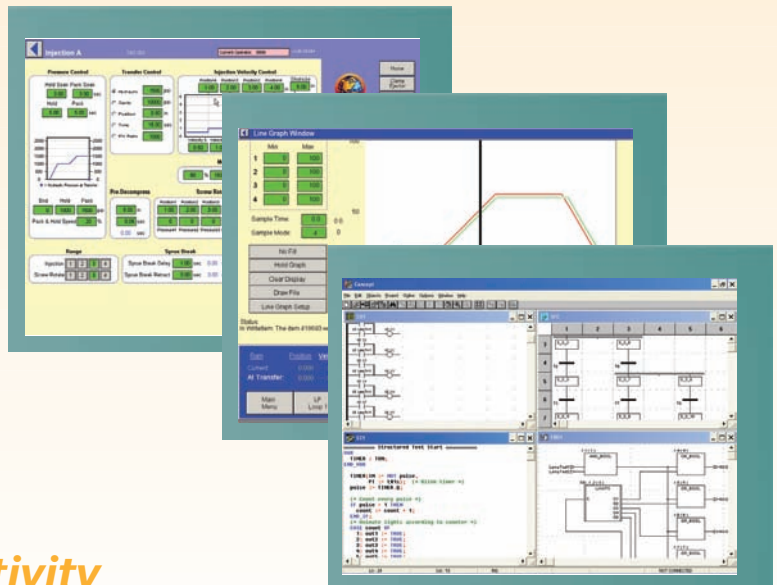
Eurotherm/Barber-Colman MACO 4000 Series System



Discrete Controllers, Drives, Sensors and Terminal I/O



The MACO Compact System is a cost competitive application specific programmable logic controller with the advantages of integrated, total machine control in a compact package. It is an expandable system, similar to the industry standard MACO 4000 System, but designed for lower cost without sacrificing high tech performance.



Flexible Solutions
Application Expertise
Increased Productivity

PC and Web Based Supervisory Packages

Complete, ready-to-run systems for production monitoring and reporting of injection molding, blow molding or extrusion machines. The use of standard hardware and software in an open architecture permits easy expansion when you're ready to grow the system.

- Flexibility to grow from a single machine to an enterprise-wide system
- Complete access to plant data including machine and job status
- Production monitoring, records and reports
- Data acquisition and direct machine control
- Real-time, usable information with an intuitive interface



Eurotherm leads the way in injection molding with flexible solutions, application expertise, and increased productivity

Eurotherm: International sales and service

For more information: Please contact your local Eurotherm office or use the contacts details below.

AUSTRALIA Sydney
Eurotherm Pty. Ltd.
T (+61 2) 9838 0099
F (+61 2) 9838 9288
E info.au@eurotherm.com

AUSTRIA Vienna
Eurotherm GmbH
T (+43 1) 7987601
F (+43 1) 7987605
E info.at@eurotherm.com

BELGIUM & LUXEMBOURG Moha
Eurotherm S.A./N.V.
T (+32) 85 274080
F (+32) 85 274081
E info.be@eurotherm.com

BRAZIL Campinas-SP
Eurotherm Ltda.
T (+5519) 3707 5333
F (+5519) 3707 5345
E info.br@eurotherm.com

DENMARK Copenhagen
Eurotherm Danmark AS
T (+45 70) 234670
F (+45 70) 234660
E info.dk@eurotherm.com

FINLAND Abo
Eurotherm Finland
T (+358) 22506030
F (+358) 22503201
E info.fi@eurotherm.com

FRANCE Lyon
Eurotherm Automation SA
T (+33 478) 664500
F (+33 478) 352490
E info.fr@eurotherm.com

GERMANY Limburg
Eurotherm Deutschland GmbH
T (+49 6431) 2980
F (+49 6431) 298119
E info.de@eurotherm.com

HONG KONG & CHINA
Eurotherm Limited North Point
T (+85 2) 28733826
F (+85 2) 28700148
E info.hk@eurotherm.com

Guangzhou Office
T (+86 20) 8755 5099
F (+86 20) 8755 5831
E info.cn@eurotherm.com

Beijing Office
T (+86 10) 6567 8506
F (+86 10) 6567 8509
E info.cn@eurotherm.com

Shanghai Office
T (+86 21) 6145 1188
F (+86 21) 6145 1187
E info.cn@eurotherm.com

INDIA Chennai
Eurotherm India Limited
T (+91 44) 24961129
F (+91 44) 24961831
E info.in@eurotherm.com

IRELAND Dublin
Eurotherm Ireland Limited
T (+353 1) 4691800
F (+353 1) 4691300
E info.ie@eurotherm.com

ITALY Como
Eurotherm S.r.l.
T (+39 031) 975111
F (+39 031) 977512
E info.it@eurotherm.com

KOREA Seoul
Eurotherm Korea Limited
T (+82 31) 2738507
F (+82 31) 2738508
E info.kr@eurotherm.com

NETHERLANDS Alphen a/d Rijn
Eurotherm B.V.
T (+31 172) 411752
F (+31 172) 417260
E info.nl@eurotherm.com

NORWAY Oslo
Eurotherm A/S
T (+47 67) 592170
F (+47 67) 118301
E info.no@eurotherm.com

POLAND Katowice
Invensys Eurotherm Sp z o.o.
T (+48 32) 2185100
F (+48 32) 2177171
E info.pl@eurotherm.com

SPAIN Madrid
Eurotherm España SA
T (+34 91) 6616001
F (+34 91) 6619093
E info.es@eurotherm.com

SWEDEN Malmo
Eurotherm AB
T (+46 40) 384500
F (+46 40) 384545
E info.se@eurotherm.com

SWITZERLAND Wallerau
Eurotherm Produkte (Schweiz) AG
T (+41 44) 7871040
F (+41 44) 7871044
E info.ch@eurotherm.com

UNITED KINGDOM Worthing
Eurotherm Limited
T (+44 1903) 268500
F (+44 1903) 265982
E info.uk@eurotherm.com
www.eurotherm.co.uk

U.S.A. Leesburg VA
Eurotherm Inc.
T (+1 703) 443 0000
F (+1 703) 669 1300
E info.us@eurotherm.com
www.eurotherm.com

ED55

Specialist Plastics Partners:

AUSTRALIA
Remtron Pty Ltd
T (+61 3) 9587 1233
F (+61 3) 9587 4244

CHINA
Gary-Harford
T (+86) 765 7725538
F (+86) 765 7725568

KOREA
MACOs Company, Ltd
T +82 (0)2 529 3078
F +82 (0)2 3462 3078

© Copyright Eurotherm Limited 2008

Invensys, Eurotherm, the Eurotherm logo, Chessell, EurothermSuite, Mini8, Eycan, Eyriss, EPower and Wonderware are trademarks of Invensys plc, its subsidiaries and affiliates. All other brands may be trademarks of their respective owners.

All rights are strictly reserved. No part of this document may be reproduced, modified, or transmitted in any form by any means, nor may it be stored in a retrieval system other than for the purpose to act as an aid in operating the equipment to which the document relates, without the prior written permission of Eurotherm limited.

Eurotherm Limited pursues a policy of continuous development and product improvement. The specifications in this document may therefore be changed without notice. The information in this document is given in good faith, but is intended for guidance only.

Eurotherm Limited will accept no responsibility for any losses arising from errors in this document.

Part No. HA136752 Issue 2



Printed on
recycled paper
in England 01.08